

# REQUEST FOR QUOTATION

## SPECIAL CARBIDE CLEARANCE CUTTERS (BALL END)

To help us serve you better, please fill in the information completely and either email it to **tech@harveytool.com** or fax it to **978-948-8560**. Complete information allows us to respond to your request in a more timely fashion and design an optimized tool for your application.

Cutter Diameter (D1):  Straight Reach (L5):

Length of Cut (L2):  Major Neck Diameter (D4):

Minor Neck Diameter (D3):  Wall Angle (A2):

Neck Length (L6):  Shank Diameter (D2):

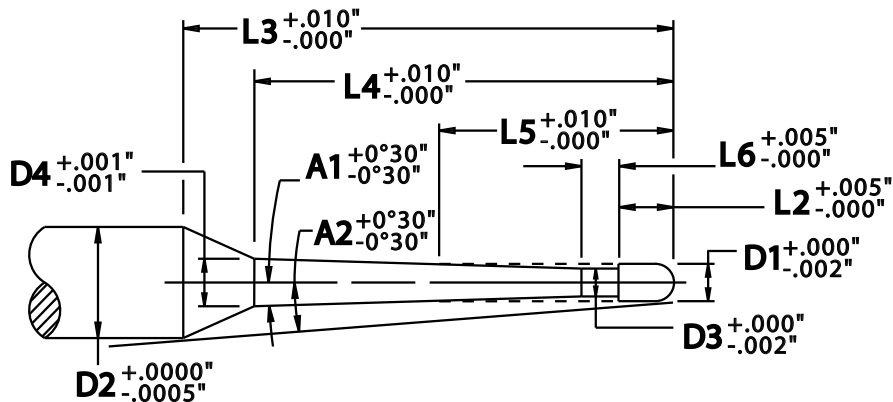
Neck Angle (A1):  Overall Length (L1):

Overall Reach (L3):  Flutes:

Tapered Reach (L4):  Workpiece Material:

Quantity (3 Piece Minimum):

Comments:



Contact:

Company:

Address Line 1:

Address Line 2:

City, State Zip:

Country:

Phone / Fax:

Email:

Your Preferred Distributor\*:

\* Harvey Tool sells through select distribution in the United States & Canada



Harvey Tool Company · 428 Newburyport Turnpike · Rowley, MA 01969  
978-948-8555 x6004 / RFQ Fax: 978-948-8560 · www.harveytool.com · tech@harveytool.com