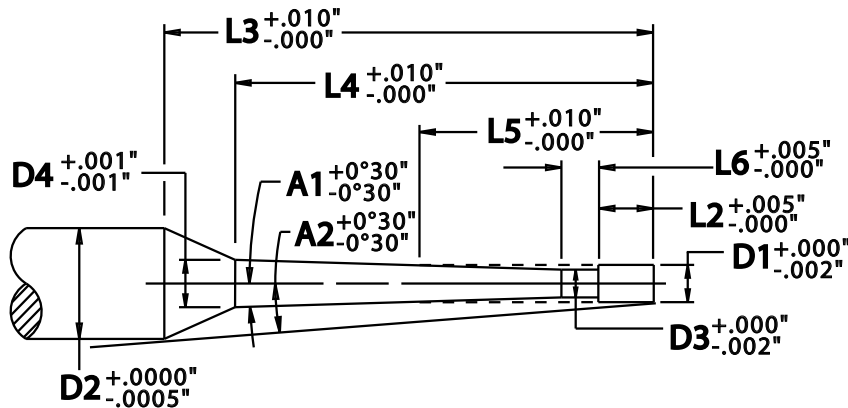


REQUEST FOR QUOTATION

SPECIAL CARBIDE CLEARANCE CUTTERS (SQUARE END)

To help us serve you better, please fill in the information completely and either email it to **tech@harveytool.com** or fax it to **978-948-8560**. Complete information allows us to respond to your request in a more timely fashion and design an optimized tool for your application.

Cutter Diameter (D1):	<input type="text"/>	Straight Reach (L5):	<input type="text"/>
Length of Cut (L2):	<input type="text"/>	Major Neck Diameter (D4):	<input type="text"/>
Minor Neck Diameter (D3):	<input type="text"/>	Wall Angle (A2):	<input type="text"/>
Neck Length (L6):	<input type="text"/>	Shank Diameter (D2):	<input type="text"/>
Neck Angle (A1):	<input type="text"/>	Overall Length (L1):	<input type="text"/>
Overall Reach (L3):	<input type="text"/>	Flutes:	<input type="text"/>
Tapered Reach (L4):	<input type="text"/>	Workpiece Material:	<input type="text"/>
Quantity (3 Piece Minimum):	<input type="text"/>		
Comments:	<input type="text"/>		



Contact:	<input type="text"/>
Company:	<input type="text"/>
Address Line 1:	<input type="text"/>
Address Line 2:	<input type="text"/>
City, State Zip:	<input type="text"/>
Country:	<input type="text"/>
Phone / Fax:	<input type="text"/>
Email:	<input type="text"/>
Your Preferred Distributor*:	<input type="text"/>

* Harvey Tool sells through select distribution in the United States & Canada



Harvey Tool Company · 428 Newburyport Turnpike · Rowley, MA 01969
978-948-8555 x6004 / RFQ Fax: 978-948-8560 · www.harveytool.com · tech@harveytool.com