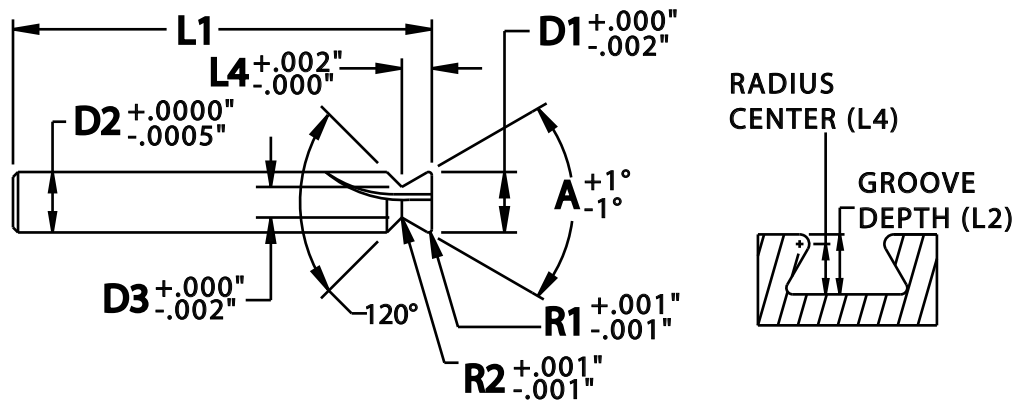


# REQUEST FOR QUOTATION

## SPECIAL CARBIDE DOVETAIL CUTTERS (NECK RADIUS)

To help us serve you better, please fill in the information completely and either email it to **tech@harveytool.com** or fax it to **978-948-8560**. Complete information allows us to respond to your request in a more timely fashion and design an optimized tool for your application.

Cutter Diameter (D1):	<input type="text"/>	Neck Diameter (D3):	<input type="text"/>
Included Angle (A):	<input type="text"/>	Shank Diameter (D2):	<input type="text"/>
Neck Radius Center (L4):	<input type="text"/>	Overall Length (L1):	<input type="text"/>
Groove Depth (L2):	<input type="text"/>	Flutes:	<input type="text"/>
Radius (R1):	<input type="text"/>	Workpiece Material:	<input type="text"/>
Neck Radius (R2):	<input type="text"/>	Quantity (3 Piece Minimum):	<input type="text"/>
Comments:	<input type="text"/>		



Contact:	<input type="text"/>
Company:	<input type="text"/>
Address Line 1:	<input type="text"/>
Address Line 2:	<input type="text"/>
City, State Zip:	<input type="text"/>
Country:	<input type="text"/>
Phone / Fax:	<input type="text"/>
Email:	<input type="text"/>

**Your Preferred Distributor\*:**

\* Harvey Tool sells through select distribution in the United States & Canada



Harvey Tool Company · 428 Newburyport Turnpike · Rowley, MA 01969  
978-948-8555 x6004 / RFQ Fax: 978-948-8560 · www.harveytool.com · tech@harveytool.com