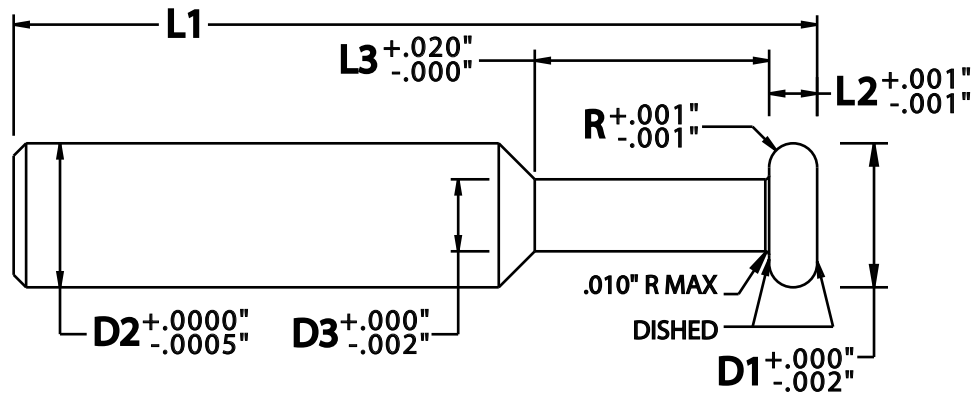


REQUEST FOR QUOTATION

SPECIAL CARBIDE KEYSEAT CUTTERS (FULL RADIUS)

To help us serve you better, please fill in the information completely and either email it to **tech@harveytool.com** or fax it to **978-948-8560**. Complete information allows us to respond to your request in a more timely fashion and design an optimized tool for your application.

Cutter Diameter (D1): <input style="width: 90%;" type="text"/>	Shank Diameter (D2): <input style="width: 90%;" type="text"/>
Width (L2): <input style="width: 90%;" type="text"/>	Overall Length (L1): <input style="width: 90%;" type="text"/>
Radius (R): <input style="width: 90%;" type="text"/>	Flutes: <input style="width: 90%;" type="text"/>
Neck Diameter (D3): <input style="width: 90%;" type="text"/>	Workpiece Material: <input style="width: 90%;" type="text"/>
Neck Length (L3): <input style="width: 90%;" type="text"/>	Quantity (3 Piece Minimum): <input style="width: 90%;" type="text"/>
Comments: <input style="width: 95%; height: 30px;" type="text"/>	



Contact:

Company:

Address Line 1:

Address Line 2:

City, State Zip:

Country:

Phone / Fax:

Email:

Your Preferred Distributor*:

* Harvey Tool sells through select distribution in the United States & Canada



Harvey Tool Company · 428 Newburyport Turnpike · Rowley, MA 01969
 978-948-8555 x6004 / RFQ Fax: 978-948-8560 · www.harveytool.com · tech@harveytool.com