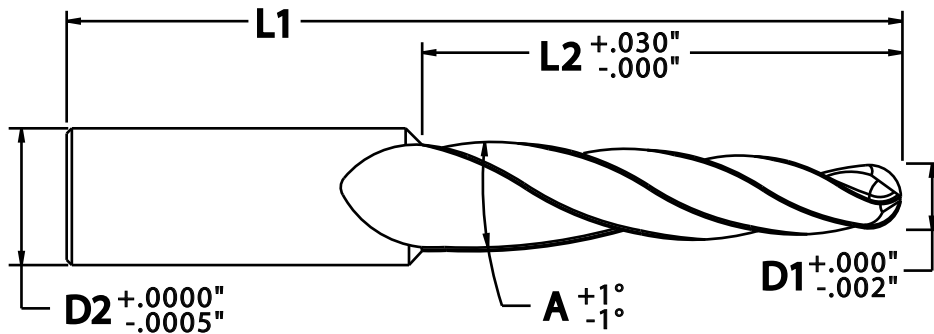


# REQUEST FOR QUOTATION

## SPECIAL CARBIDE TAPERED END MILLS (BALL)

To help us serve you better, please fill in the information completely and either email it to **tech@harveytool.com** or fax it to **978-948-8560**. Complete information allows us to respond to your request in a more timely fashion and design an optimized tool for your application.

Ball Diameter (D1):	<input type="text"/>	Shank Diameter (D2):	<input type="text"/>
Included Angle (A):	<input type="text"/>	Overall Length (L1):	<input type="text"/>
Length of Cut (L2):	<input type="text"/>	Flutes:	<input type="text"/>
Workpiece Material:	<input type="text"/>	Quantity (3 Piece Minimum):	<input type="text"/>
Comments:	<input type="text"/>		



Contact:

Company:

Address Line 1:

Address Line 2:

City, State Zip:

Country:

Phone / Fax:

Email:

Your Preferred Distributor\*:

\* Harvey Tool sells through select distribution in the United States & Canada



Harvey Tool Company · 428 Newburyport Turnpike · Rowley, MA 01969  
978-948-8555 x6004 / RFQ Fax: 978-948-8560 · www.harveytool.com · tech@harveytool.com