

REQUEST FOR QUOTATION

SPECIAL CARBIDE TAPERED END MILLS (MINIATURE BALL)

To help us serve you better, please fill in the information completely and either email it to **tech@harveytool.com** or fax it to **978-948-8560**. Complete information allows us to respond to your request in a more timely fashion and design an optimized tool for your application.

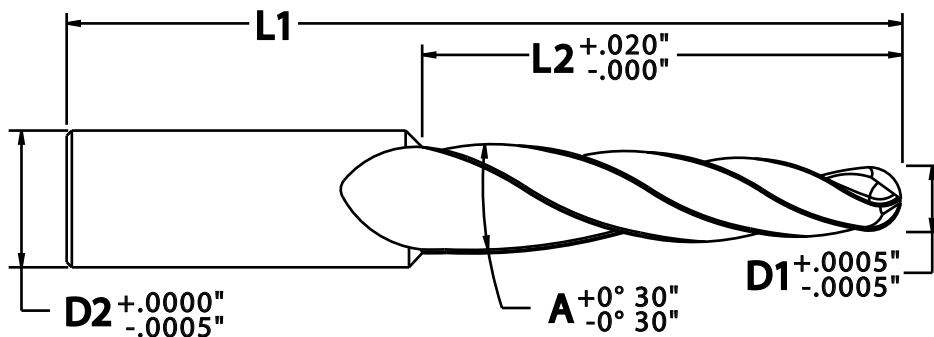
Ball Diameter (D1): Shank Diameter (D2):

Included Angle (A): Overall Length (L1):

Length of Cut (L2): Flutes:

Workpiece Material: Quantity (3 Piece Minimum):

Comments:



Contact:

Company:

Address Line 1:

Address Line 2:

City, State Zip:

Country:

Phone / Fax:

Email:

Your Preferred Distributor*:

* Harvey Tool sells through select distribution in the United States & Canada



Harvey Tool Company · 428 Newburyport Turnpike · Rowley, MA 01969
978-948-8555 x6004 / RFQ Fax: 978-948-8560 · www.harveytool.com · tech@harveytool.com